

**DESCRIPTION**

Stainless Steel Shower Grabrail for Accessible Sanitary Facilities.  
Includes Quality Chrome Plated Stainless Steel Sliding Shower Bracket  
Manufactured to Comply with AS1428.1-2009

**SPECIFICATION**

Material	Stainless Steel 304 grade
Tube Diameter	32mm
Wall Thickness	1.2mm
Finish	Satin Stainless
Mounting	Stainless Steel 76mmØ concealed flange Multiple fixing holes

**FINISHES**

- Satin finish
- Powder coated finish (to order)
- High polish mirror finish (to order)

**FASTENERS** (supplied with each grabrail)

- Stainless Steel 304 Grade
- #10 X 50mm Pan Head Philips Drive Screws

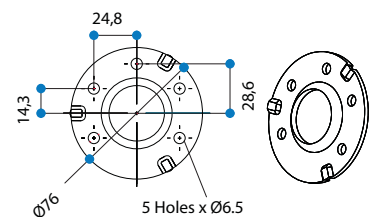
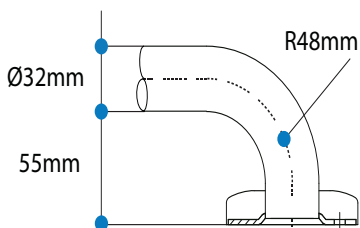
**RECOMMENDATIONS**

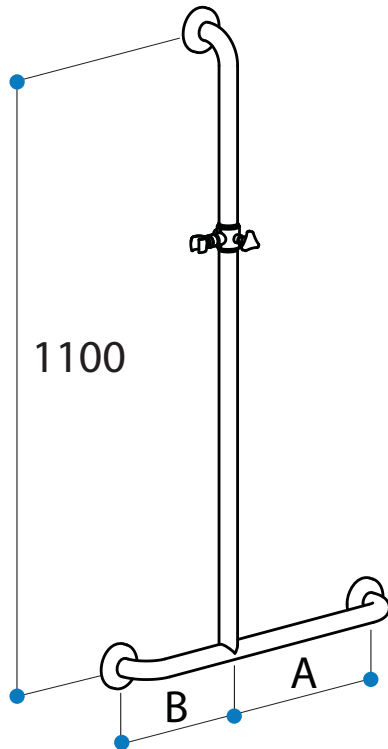
Use with Hand Shower Set .

Designed for the safety, security and convenience of the physically disabled.  
Easy to install on most building surfaces.



**Standard Grabrail Bend with TIG Welded Fixing Flange**





**PRODUCTS AVAILABLE**

Code	Description	A	B	
EGS25.30HR	As Shown - Left hand	500mm	175mm	AS1428.1-2009 Accessible*
EGS25.31HR	Opposite Hand	500mm	175mm	AS1428.1-2009 Accessible*

**INSTALLATION INSTRUCTIONS**

**Recommended Installation Height**

To comply with Australian Standards AS 1428.1-2009, horizontal grabrails must be fastened a distance of 800-810mm from the floor (Measured to the top of the rail).

Careful planning is required to prepare the wall structures or to investigate the soundness of any existing substrates, followed by selecting the most suitable fixings for the conditions. The fastenings should be able to withstand a force of 1100N at any point from any direction.

It is recommended that suitably qualified persons, carry out installation and reference to Australian Standard requirements should be made to ensure the installation complies with all requirements.

**WARRANTY**

Axess Trading Products as described in the heading, are guaranteed to be free from defective materials and workmanship for a period of 5 years from the date of purchase, subject to the product being used for the purpose for which it was designed.

Under this warranty, products returned to Axess Trading will be repaired or replaced at no extra charge to the purchaser. Please contact us for our complete warranty certificate.

\* Compliant with AS1428.1-2009, if installed as per the provisions of the standard

### DESCRIPTION

Stainless Steel Shower Grabrail for General Use or for Accessible Use.  
Includes Quality Chrome Plated Stainless Steel Sliding Shower Bracket  
Manufactured to Comply with AS1428.1-2009

### SPECIFICATION

Material	Stainless Steel 304 grade
Tube Diameter	32mm
Wall Thickness	1.2mm
Finish	Satin Stainless
Mounting	Stainless Steel 76mmØ concealed flange Multiple fixing holes

### FINISHES

- Satin finish
- Powder coated finish (to order)
- High polish mirror finish (to order)

### FASTENERS (supplied with each grabrail)

- Stainless Steel 304 Grade
- #10 X 50mm Pan Head Philips Drive Screws

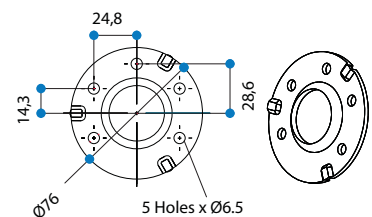
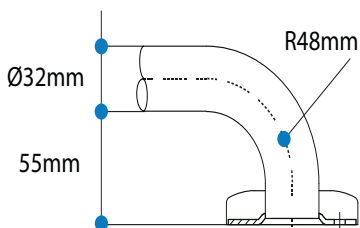
### RECOMMENDATIONS

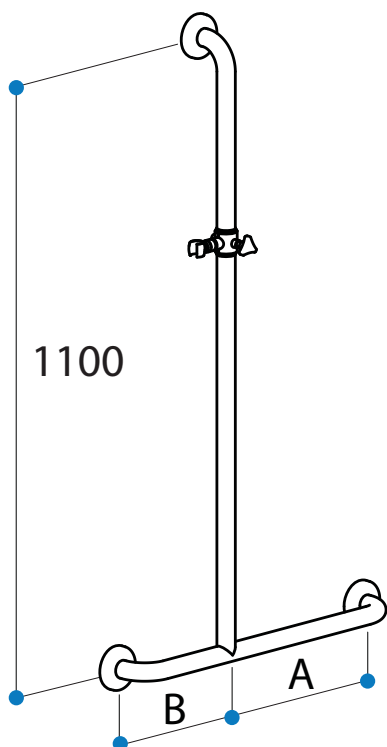
Use with Hand Shower Set .

Designed for the safety, security and convenience of the physically disabled.  
Easy to install on most building surfaces.



### Standard Grabrail Bend with TIG Welded Fixing Flange





### PRODUCTS AVAILABLE

Code	Description	A	B	
EGS25.10HR	As Shown - Left hand	400mm	200mm	
EGS25.11HR	Opposite Hand	400mm	200mm	
EGS25.20HR	Centered	300mm	300mm	
EGS25.30HR	As Shown - Left hand	500mm	175mm	AS1428.1-2009 Accessible*
EGS25.31HR	Opposite Hand	500mm	175mm	AS1428.1-2009 Accessible*

### INSTALLATION INSTRUCTIONS

#### Recommended Installation Height

To comply with Australian Standards AS 1428.1-2009, horizontal grabrails must be fastened a distance of 800-810mm from the floor (Measured to the top of the rail).

Careful planning is required to prepare the wall structures or to investigate the soundness of any existing substrates, followed by selecting the most suitable fixings for the conditions. The fastenings should be able to withstand a force of 1100N at any point from any direction.

It is recommended that suitably qualified persons, carry out installation and reference to Australian Standard requirements should be made to ensure the installation complies with all requirements.

### WARRANTY

Axess Trading Products as described in the heading, are guaranteed to be free from defective materials and workmanship for a period of 5 years from the date of purchase, subject to the product being used for the purpose for which it was designed.

Under this warranty, products returned to Axess Trading will be repaired or replaced at no extra charge to the purchaser. Please contact us for our complete warranty certificate.

\* Compliant with AS1428.1-2009, if installed as per the provisions of the standard