

DESCRIPTION

Stainless Steel Toilet Grabrail for General Use and for Ambulant Use.
Manufactured to Comply with AS1428.1-2009



SPECIFICATION

Material Stainless Steel 304 grade
 Tube Diameter 32mm
 Wall Thickness 1.2mm
 Finish Satin Stainless
 Mounting Stainless Steel 76mmØ concealed flange
 Multiple fixing holes

FINISHES

Satin finish
 Powder coated finish (to order)

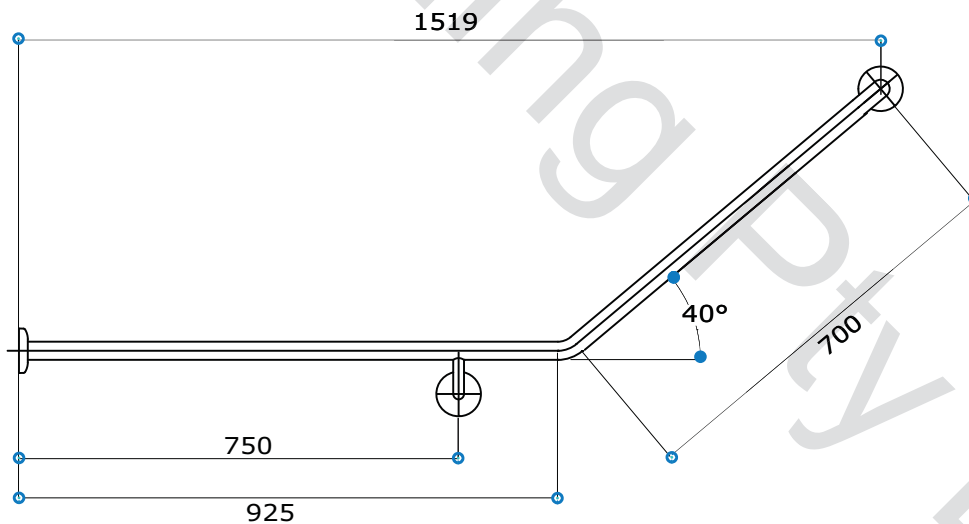
FASTENERS (supplied with each grabrail)

Stainless Steel 304 Grade
 #10 X 50mm Pan Head Philips Drive Screws

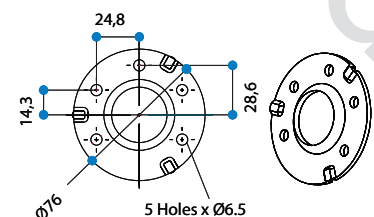
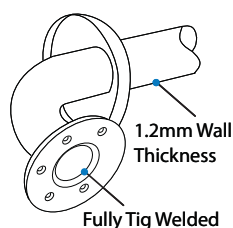
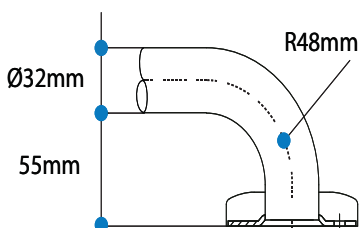
RECOMMENDATIONS

Use with EGR800 toilet backrest
 Factory fitted toilet roll holder

Designed for the safety, security and convenience of those with a physical disability. Easy to install on most building surfaces.



Standard Grabrail Bend with TIG Welded Fixing Flange



PRODUCTS AVAILABLE

Code	Description		
EGT12.30SCX	As Shown	925mm x 700mm	AS1428.1-2009 Accessible*
EGT12.31SCX	Opposite hand	925mm x 700mm	AS1428.1-2009 Accessible*



INSTALLATION INSTRUCTIONS

Recommended Installation Height

To comply with Australian Standards AS 1428.1-2009, horizontal grabrails must be fastened a distance of 800-810mm from the floor (Measured to the top of the rail).

Careful planning is required to prepare the wall structures or to investigate the soundness of any existing substrates, followed by selecting the most suitable fixings for the conditions. The fastenings should be able to withstand a force of 1100N at any point from any direction.

It is recommended that suitably qualified persons, carry out installation and reference to Australian Standard requirements should be made to ensure the installation complies with all requirements.

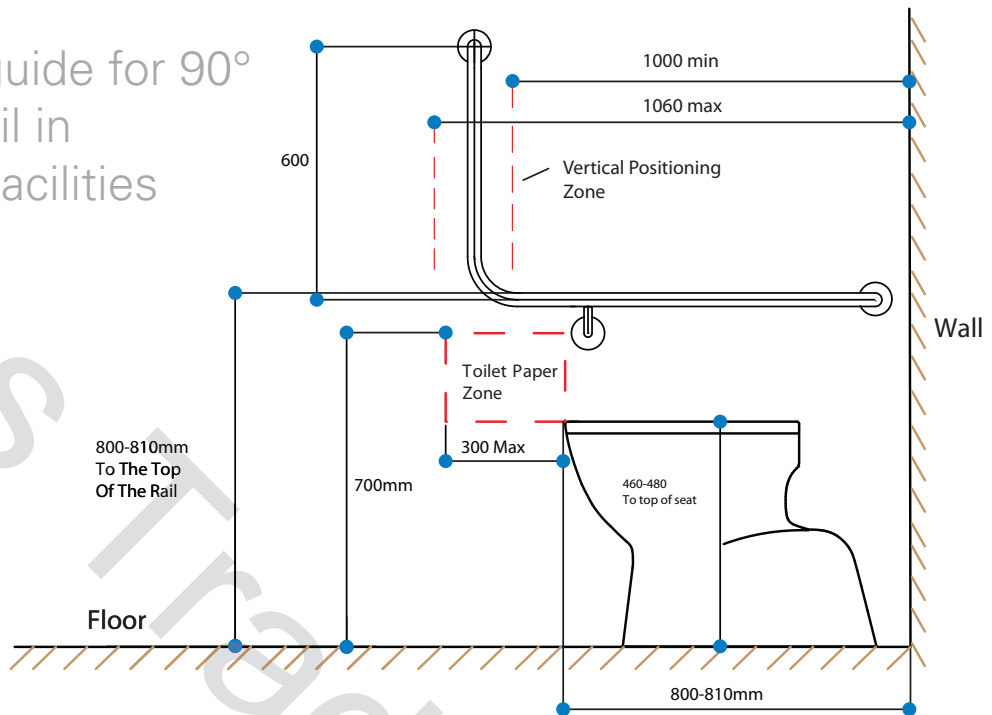
WARRANTY

Axess Trading products as described in the heading, are guaranteed to be free from defective materials and workmanship for a period of 12 months from the date of purchase, subject to the product being used for the purpose for which it was designed.

Under this warranty, products returned to Axess Trading will be repaired or replaced at no extra charge to the purchaser. Please contact us for our complete warranty certificate.

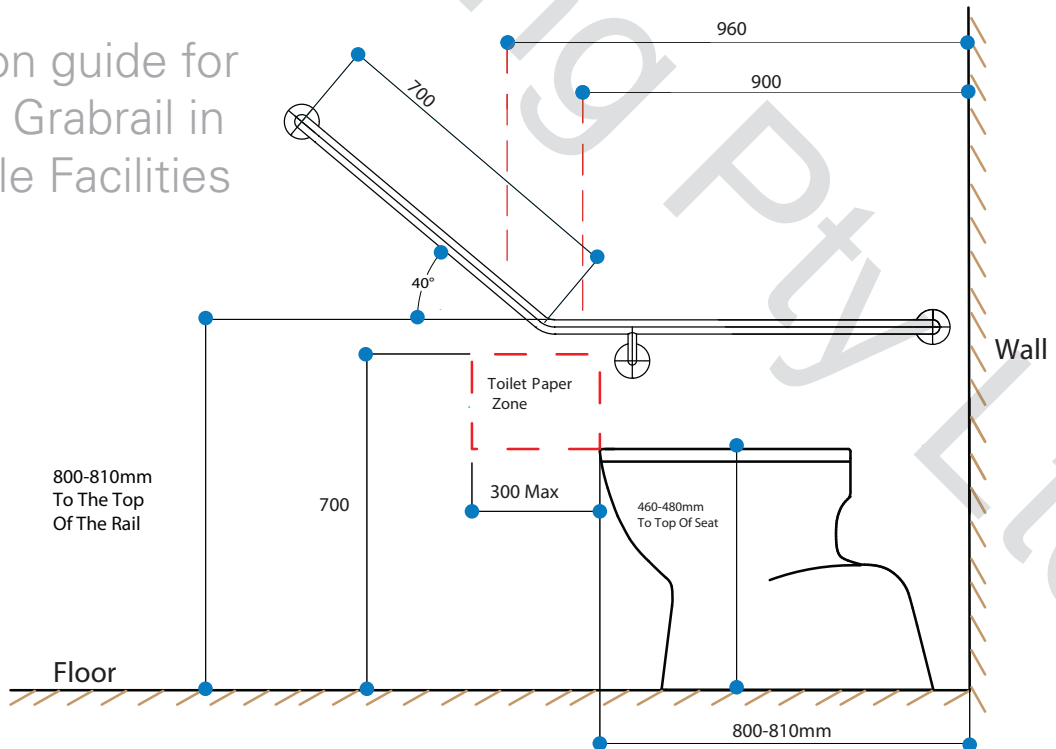
* Compliant with AS1428.1-2009, if installed as per the provisions of the standard

Installation guide for 90° Toilet Grabrail in Accessible Facilities



This illustration serves as a guide only. Please consult the Building Code of Australia (BCA)

Installation guide for 40° Toilet Grabrail in Accessible Facilities



This illustration serves as a guide only. Please consult the Building Code of Australia (BCA)