



DESCRIPTION

Stainless Steel Bath Grabrails for general use.
Manufactured to Comply with AS1428.1-2009

SPECIFICATION

Material Stainless Steel 304 grade
Tube Diameter 32mm
Wall Thickness 1.2mm
Mounting Stainless Steel 76mmØ concealed flange
Multiple fixing holes
Exposed Fixings available on request

FINISHES

Satin Stainless

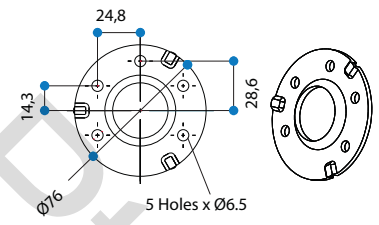
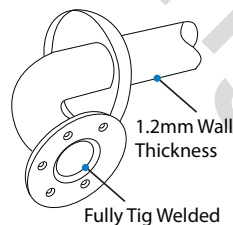
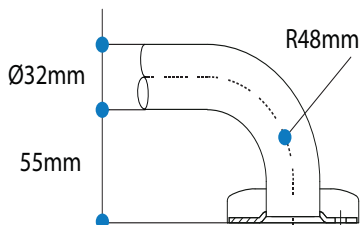
FASTENERS (supplied with each grabrail)

Stainless Steel 304 Grade
#10 X 50mm Pan Head Philips Drive Screws

Designed for the safety, security and convenience for those with a physical disability. Easy to install on most building surfaces.



Standard Grabrail TIG Welded Fixing Flange



INSTALLATION INSTRUCTIONS

Recommended Installation Height

To comply with Australian Standards AS 1428.1-2009, horizontal grabrails must be fastened a distance of 800-810mm from the floor (Measured to the top of the rail).

Careful planning is required to prepare the wall structures or to investigate the soundness of any existing substrates, followed by selecting the most suitable fixings for the conditions. The fastenings should be able to withstand a force of 1100N at any point from any direction.

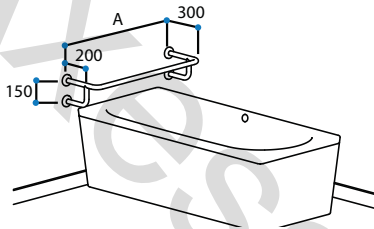
It is recommended that suitably qualified persons, carry out installation and reference to Australian Standard requirements should be made to ensure the installation complies with all requirements.

WARRANTY

Axess Trading Products as described in the heading, are guaranteed to be free from defective materials and workmanship for a period of 5 years from the date of purchase, subject to the product being used for the purpose for which it was designed.

Under this warranty, products returned to Axess Trading will be repaired or replaced at no extra charge to the purchaser. Please contact us for our complete warranty certificate.

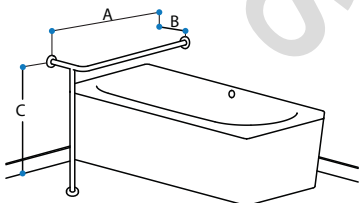
PRODUCTS AVAILABLE



BATH GRABRAIL

TYPE B3

Code	Description
EGB3.10.SC	A:800mm



BATH GRABRAIL WITH FLOOR SUPPORT

TYPE B4

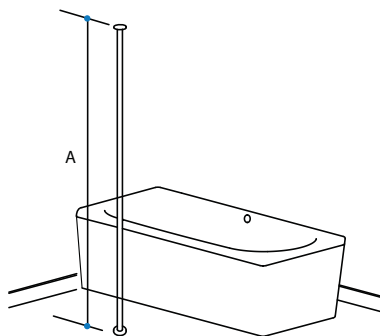
Code	Description
EGB4.10.SC	A:900mm B:300mm C:800mm



BATH GRABRAIL DOUBLE RAIL

TYPE B5

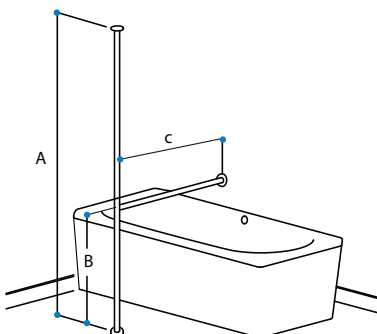
Code	Description
EGB5.10.SC	A:800mm B:600mm C:300mm D:450mm



FLOOR TO CEILING GRAB BAR

TYPE B6

Code	Description
EGB6.10.SC	Custom Length



FLOOR TO CEILING GRAB BAR WITH CROSS BAR

TYPE B7

Code	Description
EGB7.10.SC	Custom Lengths