

**DESCRIPTION**

Stainless Steel Shower Grabrail for general use.  
Manufactured to comply with AS1428.1-2009

**SPECIFICATION**

Material	Stainless Steel 304 grade
Tube Diameter	32mm
Wall Thickness	1.2mm
Finish	Satin Stainless
Mounting	Stainless Steel 76mmØ concealed flange Multiple fixing holes

**FINISHES**

Satin finish

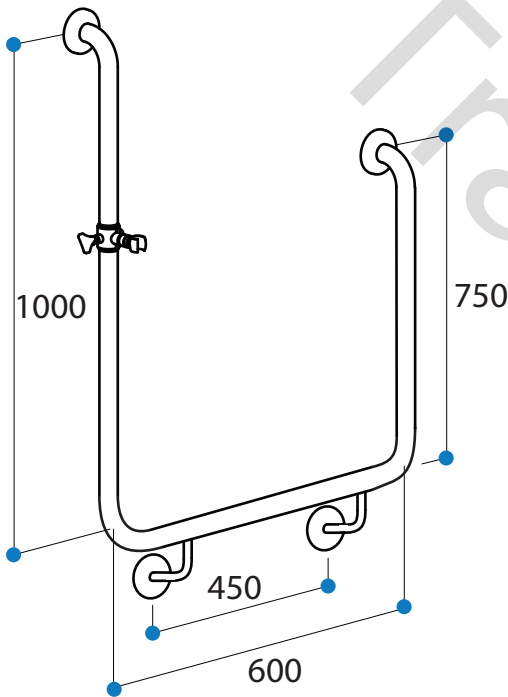
**FASTENERS** (supplied with each grabrail)

Stainless Steel 304 Grade  
#10 X 50mm Pan Head Philips Drive Screws

**RECOMMENDATIONS**

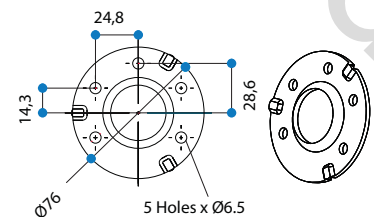
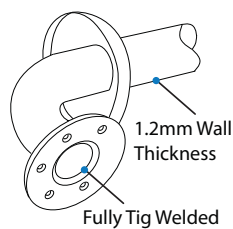
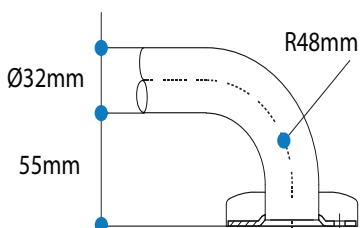
Use with EGHR.SH Sliding Shower Bracket, and Hand Shower Set.  
Use with EGHR.SD Sliding Soap Basket  
Sliding Handshower Bracket as shown (Not included)

Designed for the safety, security and convenience of those with a physical disability. Easy to install on most building surfaces.



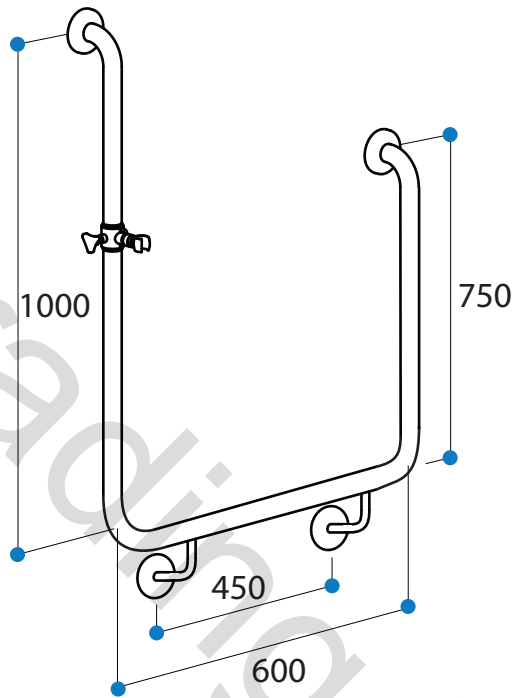
Sliding Handshower Bracket as shown (Not included)

**STANDARD GRABRAIL BEND WITH TIG WELDED FIXING**



**PRODUCTS AVAILABLE**

Code	Description	Horizontal	Vertical
DLIB1000L	As Shown - (Left)	600mm	1000mm & 750mm
DLIB1000R	Opposite Hand	600mm	1000mm & 750mm



**INSTALLATION INSTRUCTIONS**

**Recommended Installation Height**

To comply with Australian Standards AS 1428.1-2009, horizontal grabrails must be fastened a distance of 800-810mm from the floor (Measured to the top of the rail).

Careful planning is required to prepare the wall structures or to investigate the soundness of any existing substrates, followed by selecting the most suitable fixings for the conditions. The fastenings should be able to withstand a force of 1100N at any point from any direction.

It is recommended that suitably qualified persons, carry out installation and reference to Australian Standard requirements should be made to ensure the installation complies with all requirements.

**WARRANTY**

Axess Trading Products as described in the heading, are guaranteed to be free from defective materials and workmanship for a period of 12 months from the date of purchase, subject to the product being used for the purpose for which it was designed. Under this warranty, products returned to Axess Trading will be repaired or replaced at no extra charge to the purchaser. Please contact us for our complete warranty certificate.