

DESCRIPTION

Stainless Steel Shower Grabrail for general use.
Manufactured to comply with AS1428.1-2009

SPECIFICATION

Material	Stainless Steel 304 grade
Tube Diameter	32mm
Wall Thickness	1.2mm
Finish	Satin Stainless
Mounting	Stainless Steel 76mmØ concealed flange Multiple fixing holes

FINISHES

Satin finish

FASTENERS (supplied with each grabrail)

Stainless Steel 304 Grade
#10 X 50mm Pan Head Philips Drive Screws

RECOMMENDATIONS

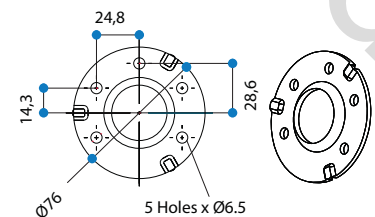
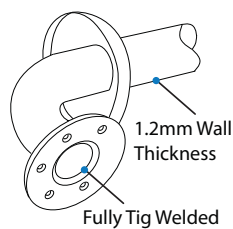
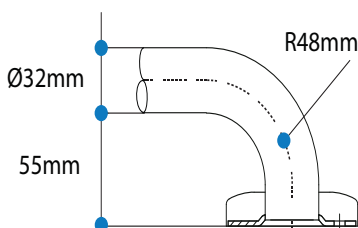
Use with EGHR.SH Sliding Shower Bracket, and Hand Shower Set.
Use with EGHR.SD Sliding Soap Basket
Sliding Handshower Bracket as shown (Not included)

Designed for the safety, security and convenience of those with a physical disability. Easy to install on most building surfaces.



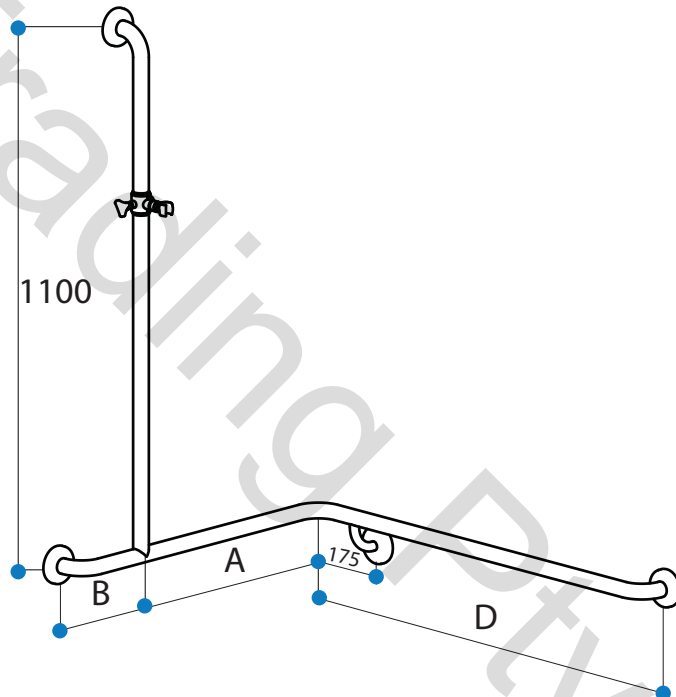
Sliding Handshower Bracket as shown (Not included)

STANDARD GRABRAIL BEND WITH TIG WELDED FIXING



PRODUCTS AVAILABLE

Code	Description	A	B	D
EGS20.10SCX	As Shown - Left hand	580mm	170mm	1000mm
EGS20.11SCX	Opposite Hand	580mm	170mm	1000mm
EGS20.20SCX	As Shown - Left hand	580mm	420mm	1000mm
EGS20.21SCX	Opposite Hand	580mm	420mm	1000mm
EGS20.30SCX	As Shown - Left hand	450mm	300mm	750mm
EGS20.31SCX	Opposite Hand	450mm <td 300mm	750mm	
EGS20.40SCX	As Shown - Left hand	580mm	320mm	900mm
EGS20.40SCX	Opposite Hand	580mm	320mm	900mm



INSTALLATION INSTRUCTIONS

Recommended Installation Height

To comply with Australian Standards AS 1428.1-2009, horizontal grabrails must be fastened a distance of 800-810mm from the floor (Measured to the top of the rail).

Careful planning is required to prepare the wall structures or to investigate the soundness of any existing substrates, followed by selecting the most suitable fixings for the conditions. The fastenings should be able to withstand a force of 1100N at any point from any direction.

It is recommended that suitably qualified persons, carry out installation and reference to Australian Standard requirements should be made to ensure the installation complies with all requirements.

WARRANTY

Axess Trading Products as described in the heading, are guaranteed to be free from defective materials and workmanship for a period of 12 months from the date of purchase, subject to the product being used for the purpose for which it was designed. Under this warranty, products returned to Axess Trading will be repaired or replaced at no extra charge to the purchaser. Please contact us for our complete warranty certificate.

DESCRIPTION

Stainless Steel Shower Grabrail for general use.
Manufactured to comply with AS1428.1-2009

SPECIFICATION

Two Parts	Corner Shower Grab Rail EGS10 Vertical Connecta [®] Rail
Material	Stainless Steel 304 grade
Tube Diameter	32mm
Wall Thickness	1.2mm
Finish	Satin Stainless
Mounting	Stainless Steel 76mm \varnothing concealed flange Multiple fixing holes

FINISHES

Satin finish

FASTENERS (supplied with each grabrail)

Stainless Steel 304 Grade
#10 X 50mm Pan Head Philips Drive Screws

RECOMMENDATIONS

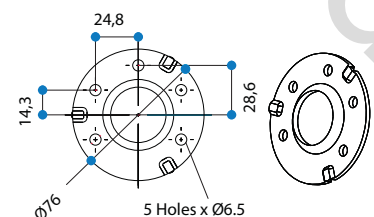
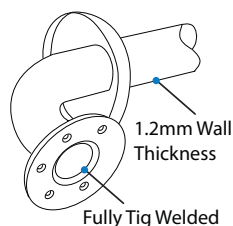
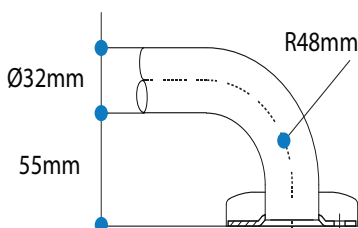
Use with EGHR.SH Sliding Shower Bracket, and Hand Shower Set.
Use with EGHR.SD Sliding Soap Basket
Sliding Handshower Bracket as shown (Not included)

Designed for the safety, security and convenience of those with a physical disability. Easy to install on most building surfaces.



Sliding Handshower Bracket as shown (Not included)

STANDARD GRABRAIL BEND WITH TIG WELDED FIXING

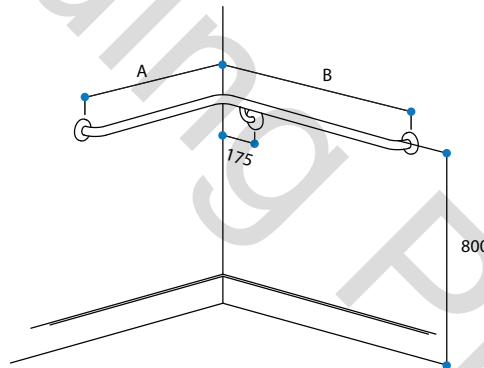
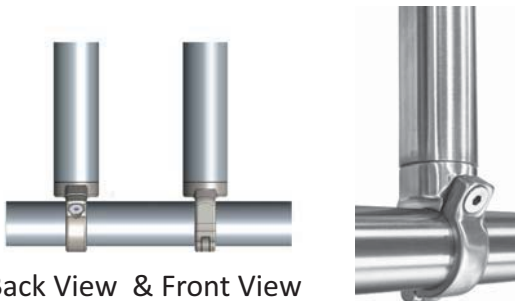
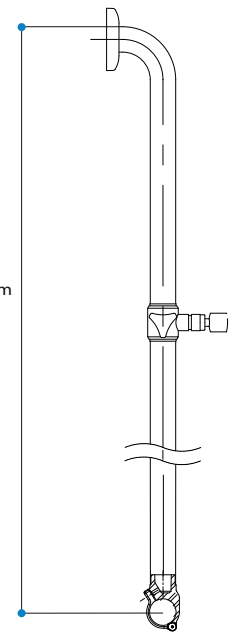


THE CONNECTA® RAIL

- The connecta® rail is designed to reduce the shipping costs for single items.
- Furthermore the connecta® rail enables trades people to handle the product much easier on building sites.
- The horizontal rail can be installed perfectly without the vertical part, which can be installed afterwards.
- The connecta® rail can be installed in any position on the horizontal rail in consideration to in wall blocking and fixing provisions.

PRODUCTS AVAILABLE

Code	Description	Dimensions
EGS20.10SCCR	As Shown - Left hand	750mm x 1000mm
EGS20.11SCCR	Opposite Hand	750mm x 1000mm
EGS20.20SCCR	As Shown - Left hand	1000mm x 1000mm
EGS20.21SCCR	Opposite Hand	1000mm x 1000mm
EGS20.30SCCR	As Shown - Left hand	750mm x 750mm
EGS20.31SCCR	Opposite Hand	750mm x 750mm
EGS20.40SCCR	As Shown - Left hand	900mm x 900mm
EGS20.40SCCR	Opposite Hand	900mm x 900mm



INSTALLATION INSTRUCTIONS

Recommended Installation Height

To comply with Australian Standards AS 1428.1-2009, horizontal grabrails must be fastened a distance of 800-810mm from the floor (Measured to the top of the rail).

Careful planning is required to prepare the wall structures or to investigate the soundness of any existing substrates, followed by selecting the most suitable fixings for the conditions. The fastenings should be able to withstand a force of 1100N at any point from any direction.

It is recommended that suitably qualified persons, carry out installation and reference to Australian Standard requirements should be made to ensure the installation complies with all requirements.

WARRANTY

Axess Trading Products as described in the heading, are guaranteed to be free from defective materials and workmanship for a period of 12 months from the date of purchase, subject to the product being used for the purpose for which it was designed. Under this warranty, products returned to Axess Trading will be repaired or replaced at no extra charge to the purchaser. Please contact us for our complete warranty certificate.