

DESCRIPTION

Fold away Acrylic Shower Seat to be installed in a shower recess.
Designed for the safety, security and convenience for those with a physical disability.
Easy to install on most building surfaces..
Manufactured in Australia using white powdercoated stainless steel frame and a non-slip acrylic shower seat top.

Manufactured to Comply with AS1428.1-2009

FRAME

Material Stainless Steel 304 grade
Square Tube 19mm
Wall Thickness 1.2mm
Finish White Powdercoated
Mounting Stainless Steel flat bar with multiple points

SEAT

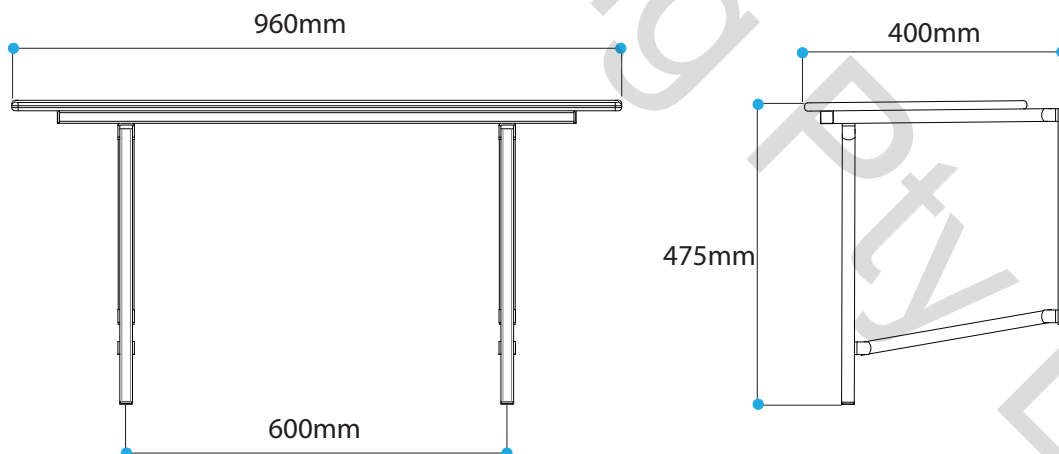
White acrylic slip resistant top
6mm Drainage slots (Compliant)

FASTENERS (supplied with each shower seat)

Stainless Steel 304 Grade
6 x #14g X 50mm Pan Head Philips Drive Self Tapping Screw

Options

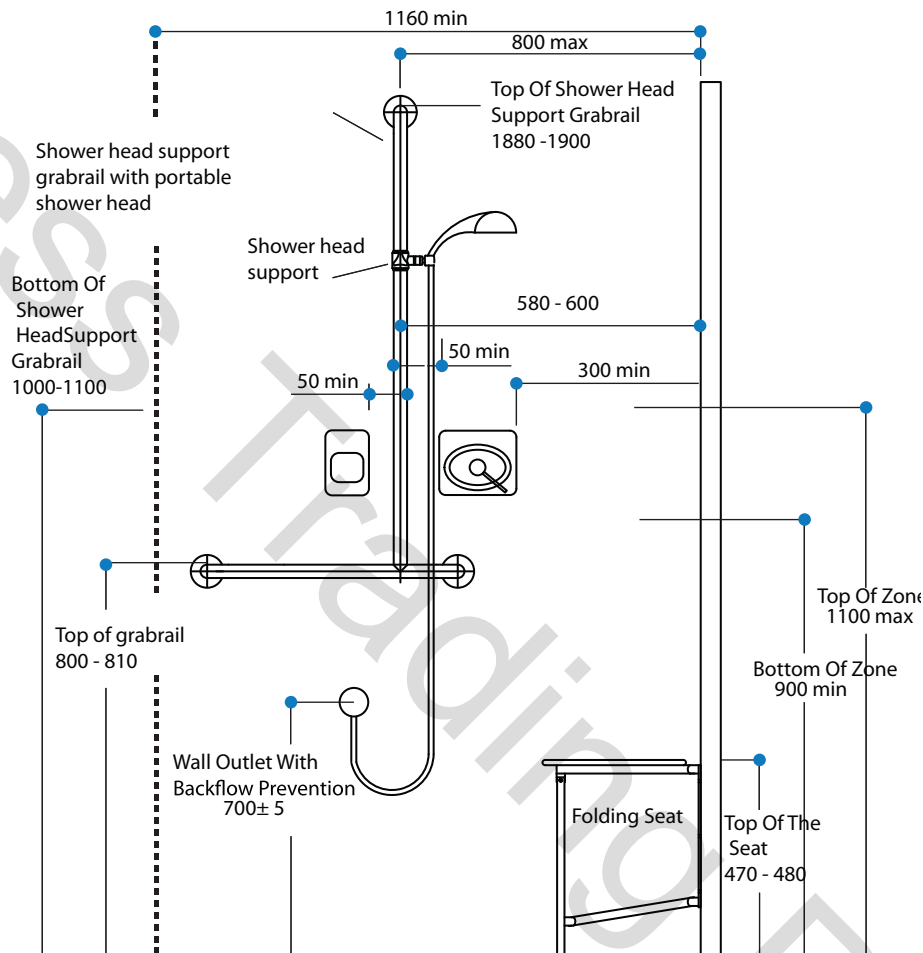
SHS960S - 960mm
SHS600 - 600mm



PRODUCTS AVAILABLE

Code	Description
SHS960	960mm - White powdercoated stainless steel frame (AS1428.1-2009)
SHS960S	960mm - Stainless steel frame (AS1428.1-2009)
SHS600	600mm - White powdercoated stainless steel frame

Shower Recess Fittings - Elevation



This illustration serves as a guide only. Please consult the Building Code of Australia (BCA)

INSTALLATION INSTRUCTIONS

Careful planning is required to prepare the wall structures or to investigate the soundness of any existing substrates, followed by selecting the most suitable fixings for the conditions.

It is recommended that suitably qualified persons, carry out installation and reference to Australian Standard requirements should be made to ensure the installation complies with all requirements.

Mounting height and location of shower seat must comply with local building codes.

The Axess Trading shower seat is no stronger than the anchors and walls to which it is attached and, therefore, must be firmly secured in order to support the loads for which it is intended.

WARRANTY

Axess Trading Products as described in the heading, are guaranteed to be free from defective materials and workmanship for a period of 12 months from date of purchase, subject to the product being used for the purpose for which it was designed. Under this warranty, products returned to Axess Trading will be repaired or replaced at no extra charge to the purchaser. Please contact us for our complete warranty certificate.

DESCRIPTION

Fold away Stainless Steel Shower Seat to be installed in a shower recess.
Designed for the safety, security and convenience for those with a physical disability.
Easy to install on most building surfaces.

Manufactured to Comply with AS1428.1-2009

FRAME

Material Stainless Steel 304 grade
Square Tube 25mm
Wall Thickness 1.2mm
Finish Brushed Satin
Mounting Stainless Steel flat bar with multiple points

SEAT

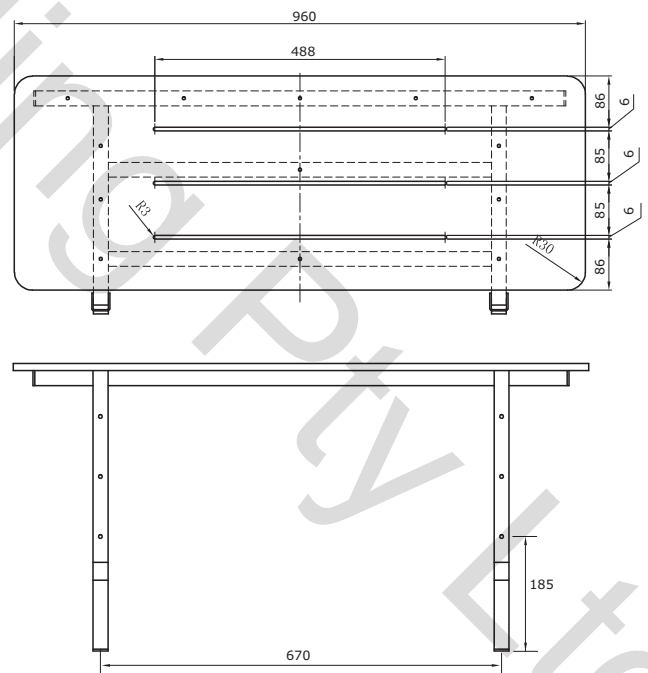
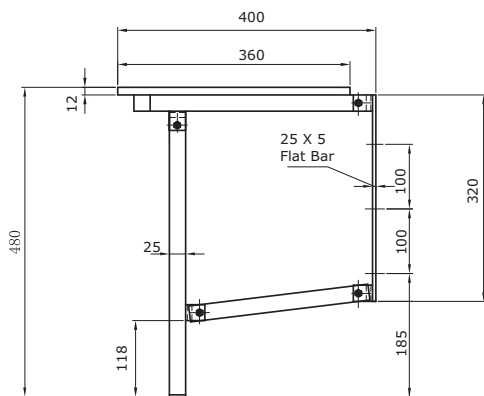
Waterproof Phenolic top
6mm Drainage slots

FASTENERS (supplied with each shower seat)

Stainless Steel 304 Grade
6 x #14g X 50mm Pan Head Philips Drive Self Tapping Screw

Options

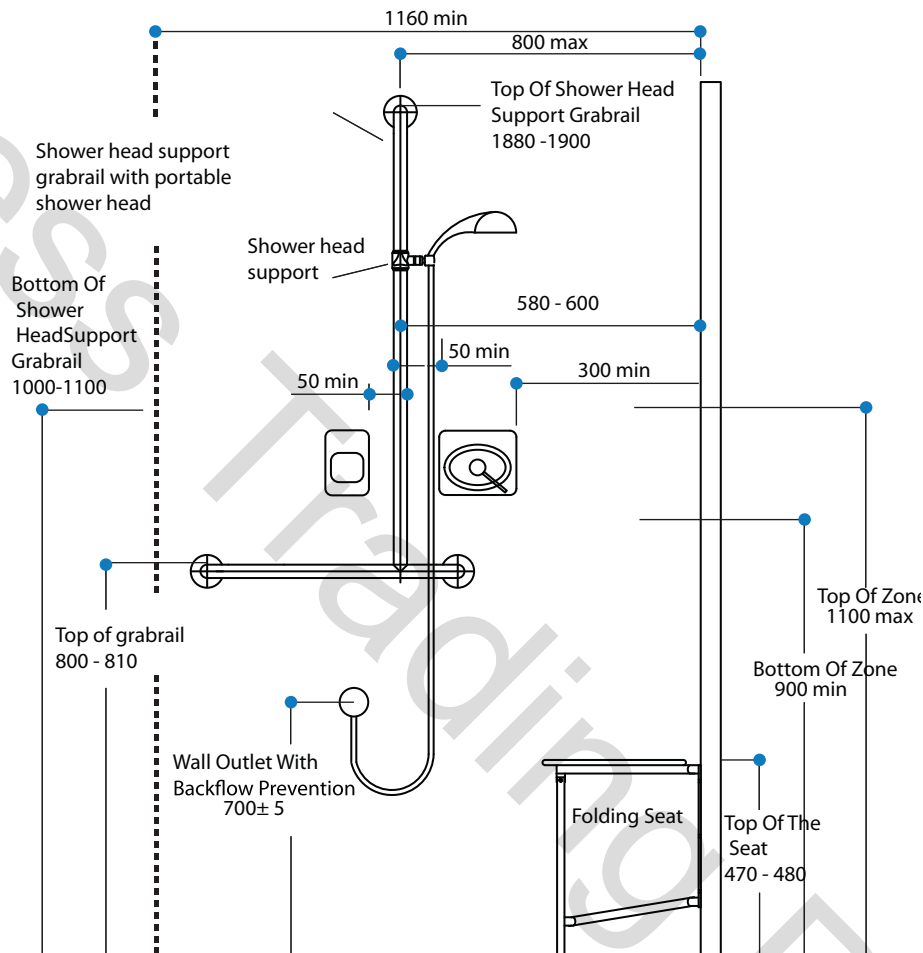
SHS960 - 960mm
SHS600 - 600mm



PRODUCTS AVAILABLE

Code	Description
SHS960	960mm - White powdercoated stainless steel frame (AS1428.1-2009)
SHS960S	960mm - Stainless steel frame (AS1428.1-2009)
SHS600	600mm - White powdercoated stainless steel frame

Shower Recess Fittings - Elevation



This illustration serves as a guide only. Please consult the Building Code of Australia (BCA)

INSTALLATION INSTRUCTIONS

Careful planning is required to prepare the wall structures or to investigate the soundness of any existing substrates, followed by selecting the most suitable fixings for the conditions.

It is recommended that suitably qualified persons, carry out installation and reference to Australian Standard requirements should be made to ensure the installation complies with all requirements.

Mounting height and location of shower seat must comply with local building codes.

The Axess Trading shower seat is no stronger than the anchors and walls to which it is attached and, therefore, must be firmly secured in order to support the loads for which it is intended.

WARRANTY

Axess Trading Products as described in the heading, are guaranteed to be free from defective materials and workmanship for a period of 12 months from date of purchase, subject to the product being used for the purpose for which it was designed. Under this warranty, products returned to Axess Trading will be repaired or replaced at no extra charge to the purchaser. Please contact us for our complete warranty certificate.